

Fontana Marseille Modern Brushed Gold Rainfall Shower Head Set



PRIOR TO INSTALLATION

Please read installation instructions below. All plumbing should be installed in accordance with applicable building codes and regulations.

Unpack and inspect the items for any shipping damages. If you find damages, do not install.

All products must be installed by a professional and certified plumber otherwise warranty may be voided.

POSSIBLE TOOLS REQUIRED*



Plumbers Tape



Tape Measure



Level



Adjustable Wrench



Hex Wrench



Thread Sealant



Drill



Pencil or Marker

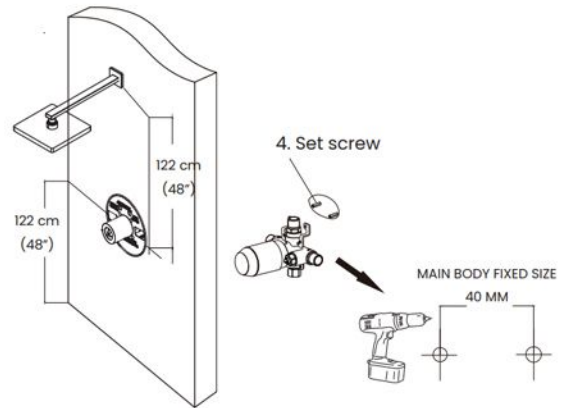


Screwdriver

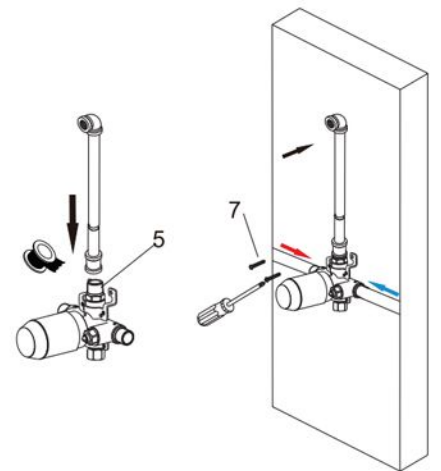
*not included

Mixer's Installation:

1. Following the installation reference size, insert two set screws (4) for the valve body mounting.



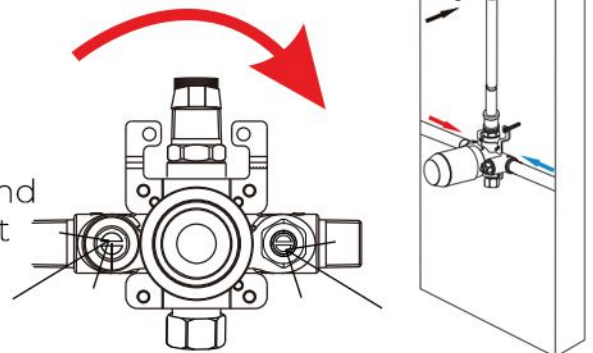
2. Insert the valve body (5) into the pre-cut hole and align with the set screws and attach the vertical water line, then secure the valve body using provided screws (7). Connect the horizontal hot/cold water lines to the valve body.



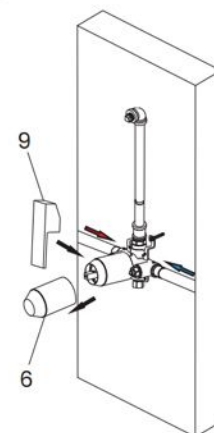
3. Plug the water outlets and test water pressure at the suggested settings.

- a.) Test 3 min @ 1.6 MPA when the ceramic cartridge is closed.
- b.) Test 3 min @ 0.4 MPA when the ceramic cartridge is open.
- c.) Proceed to next step if no leaking occurs after test.

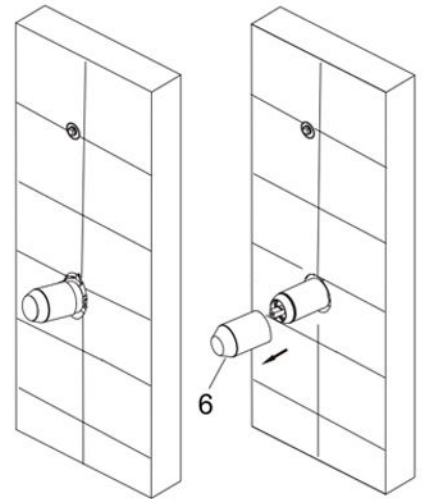
The valve body is with water flow regulation function. If there is great deviation in cold and hot water flow, it could be adjusted at the point indicated by the arrow. (Turn down in clockwise rotation)



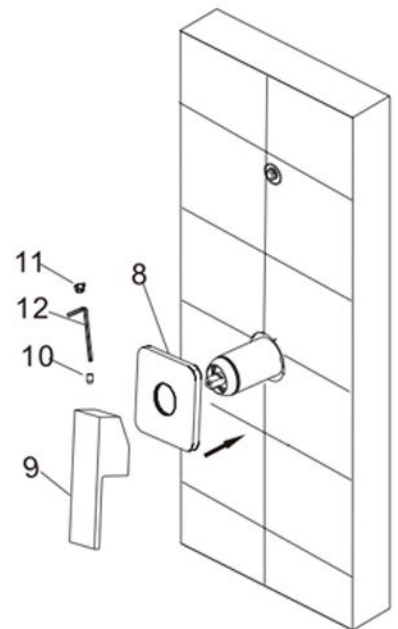
4. Remove the cover plate (6) and install the handle (9)



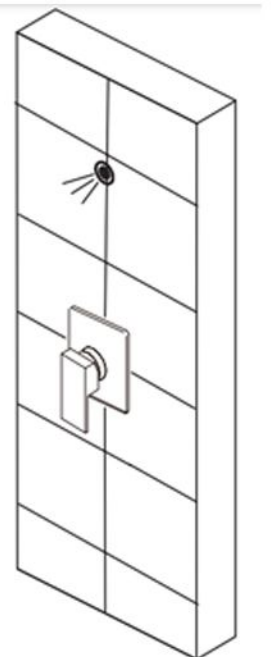
5. If finishing on tiled wall, remove the handle (9) and put cover plate (6) back over the valve. Remove cover plate after finished wall is complete.



6. Finish valve installation by adding the panel (8) and the handle (9) to the valve body.

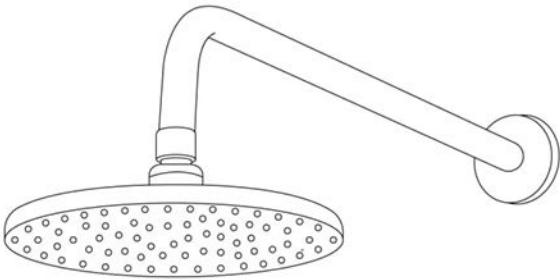


7. Remove the plug from the shower head line and flush any dirt from the water line.



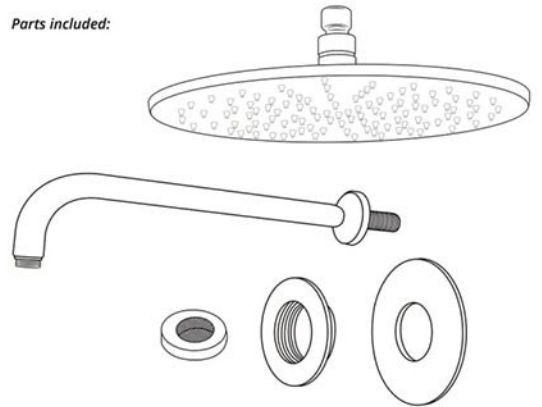
Wall Mount Shower Installation Instructions

Step 1:

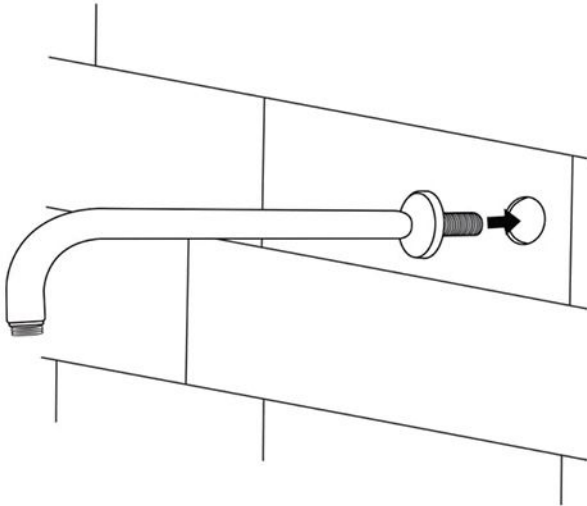


Step 2:

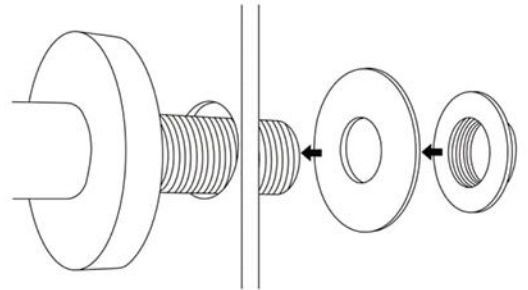
Parts included:



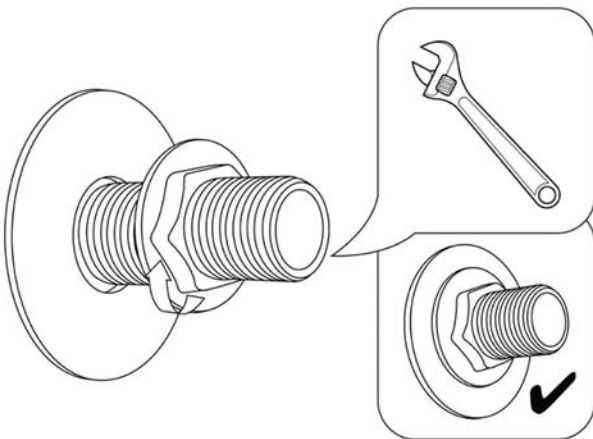
Step 3:



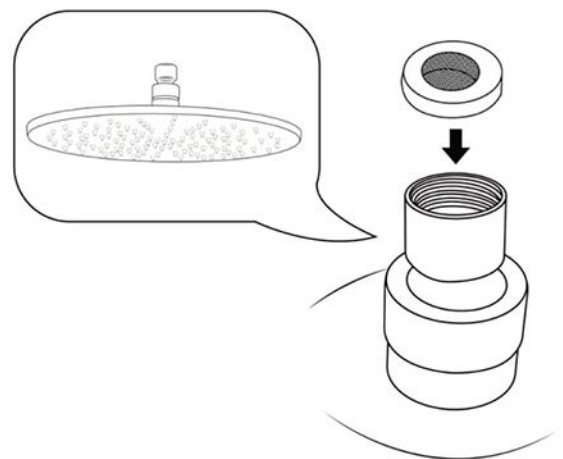
Step 4:



Step 5:

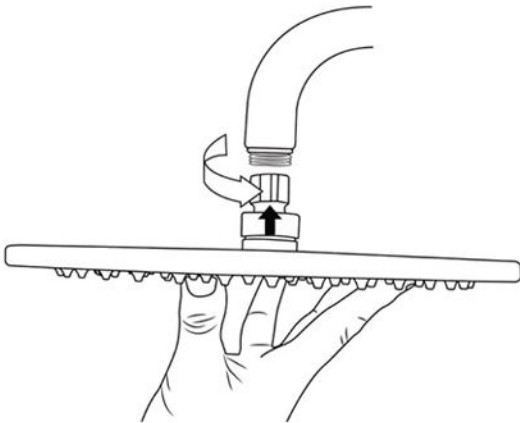


Step 6:

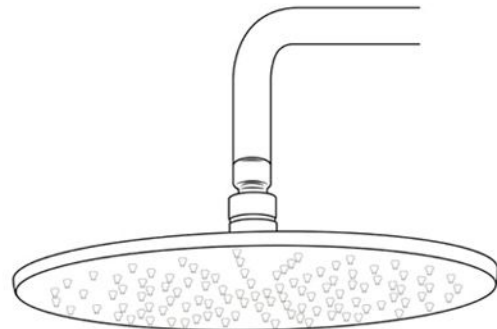


Fontana Showers®

Step 7:



Step 8:



Step 9 (Note):

No tools required, G1/2" connector fits standard sized shower plumbing.



✓ Use your hands counterclockwise to unscrew the old showerhead and removed it.

✓ Take out the Hiendure Showerhead, make sure the shower filter is placed in the connector.



✓ Ensure the showerhead full horizontal alignment wall mounted shower arm thread

✓ Use your heads clockwise to tighten showerhead.

Product shown is only for installation display purpose

1. Remove the old shower head by using the channel lock pliers or monkey wrench. Be sure to turn the pliers counter-clockwise to loosen the old shower head. (tip: right is tight, left is loose.)
2. Remove the shower arm by turning it by hand counter-clockwise. Make sure you remember to apply putty or tape to the new arm. (tip: using teflon tape is less messy)
3. Apply teflon tape to the threading of the shower arm by wrapping it around the threads, go all the way around 3 or 4 times depending on the quality of the teflon tape.
4. Install the new shower arm by going clockwise by hand until it is tight, then put painters tape around the arm and tighten the arm with the channel lock or monkey wrench.
5. Place teflon tape around the threads on the shower head and then place the shower head onto the shower arm by turning the shower head clockwise after the shower arm is already in the wall.

Fontana Showers®

General Information

All products manufactured and supplied by Fontana are safe and comply to legislative requirements. Providing they are installed correctly and receive regular maintenance in accordance with these instructions your user experience will not be affected.

Care & Cleaning

1. The product can be cleaned with warm water, a mild soap and a clean soft cloth.
2. Clean progressively and gently.
3. It is not required to use any abrasive cleaning pads, wire wool or cloths to clean the product.
4. Avoid a vigorous cleaning action, as this could contribute to denaturing and dulling
5. Abrasive or strong cleaning products containing ammonia, bleaches, alcohol, dyes, acids (hydrochloric, formic, phosphorus, chlorine or acetic) will be not be affected.
6. If using a spray cleaner, apply the cleaning agent onto a soft cloth, never directly spray onto the product as the cleaner may enter gaps and openings and cause damage. Do not allow the cleaner to remain on the product for a period of time. After cleaning, rinse thoroughly with clean water.

